



Display Specifications

MT553UTB MultiTaction Cell 55" Full HD LCD Ultra Thin Bezel

Display Specifications	MT553UTB
Display Technology	TFT LCD Ultra Thin Bezel
Display Size	55" 16:9 Wide
Native Resolution	Full HD 1920 x 1080
Display Colors	16.7 million
Display Active Area	1209.6 x 680.4 mm
Mullion	5.7 mm from pixel to pixel
Pixel Pitch	0.63 x 0.63 mm
Pixel Response Time	8ms grey to grey
Brightness	400 cd/m ²
Contrast Ratio	4000 :1 typical
Picture Frame Rate	60 Hz
Backlight	White LED Matrix Array
Viewing Angle	178

Touch Sensing Hardware

Touch technology	Computer Vision Through Screen
Tracking Speed	Up to 200 fps
IR Source & camera	Integrated Backlight Emitter Camera modules
IR Wavelength	850 nm

Touch Surface

Display Safety Glass	Tempered 4mm Optiwhite Glass covering whole front surface
----------------------	---

Interfaces

Video Input	DVI-D, DisplayPort*
Control Input	Ethernet, USB B*
Auxiliary input for keyboard, mouse, and extra memory	3 x USB A
Power Connector	IEC C14

* disabled, reserved for future use

Electrical Specifications

Power Supply	100-240 VAC 50/60 Hz
Power Consumption	500 W

Touch Sensing Details

Tracking Software	Embedded MultiTaction Extensible Hybrid Tracking Engine
Interaction Methods	Single finger, multiple fingers, single hand, multiple hands and users, objects with optical markers, basic shapes, infrared pen. Click, hold and drag
Hand Recognition	Each finger orientation recognized and fingers identified to certain hand
Object Recognition Infrared pen	Supported with 2D fiducial markers. Some basic shapes. Unlimited simultaneous pen and touch input.
Number of Simultaneous Touch Inputs	Unlimited ⁽¹⁾
Number of Simultaneous Users	Unlimited (separate hands) ⁽¹⁾
Positional accuracy	2mm, directional compensation
Relative accuracy	Sub-pixel accuracy
Touch Latency	10 ms typical ⁽²⁾
Tracking Data Outputs/APIs	Multi-Format Tracking Output: Low level C++, TUIO, XML stream, Windows 7 Touch
Operating System Support	Windows 7, Linux and Mac OS X
Development Environment Support	Most major programming languages and environments (e.g. MS Surface 2 SDK, Win 7 tools, TUIO-compatible systems) ⁽³⁾
Software Development Kit	Cornerstone SDK available for C++/OpenGL (Windows 7, Linux, Mac OS X)

Stackability	Up to 24 Cells can be connected to run a single Multi-touch application with external computer
--------------	--

Environment Specifications

Operating Temperature	0 to +35 degrees C
Storage Temperature	-10 to +60 degrees C ⁽⁴⁾
Relative Humidity	Non-condensing max. 80%

Dimensions and Weight

Physical Dimensions	1215 x 686 x 200 mm
Bezel width	1.9 mm (bottom and left side), 3.8 mm (top and right side)
Weight	40 kg (+5kg for two legs)
Color	Black
Shipping Dimensions	1350 x 500 x 950 mm
Shipping Weight	70 kg

Display Mounting

VESA Mount	800 x 400 mm, M8 screws
Mounting positions	Vertical Horizontal

Cooling

Cooling system	Forced Air
Convection method	Low Noise Variable Speed Internal Fans
Noise Level	15 - 25 dBA

Miscellaneous

Agency Approvals	CE
RoHS Compliant	Yes
Expected Life-time	Over 60,000 h
Warranty	1 Year

Sales Package Contents

Display Unit	1
Power Cords	5 m, EUR, US, GB
Digital Video Cable	DVI-D 5 m
USB A-B Cable	5 m
Cat5e Ethernet Cable	5 m
Display stand	Table stand for landscape/portrait use
Protective/autocalibration sheet	1
Mounting rail bits	2 pcs
Warranty Card	
Quick Start Guide	
Product Manual	English version

- 1) Practically limited by how many people can fit next to display array.
- 2) Measured from touch to processed tracking data output. Overall latency is more and depends on the computer, operating system and application used.
- 3) See Cornerstone data sheet for more details.
- 4) Allow at least two hours for temperature normalization before switching on.

Specifications subject to change without notice.

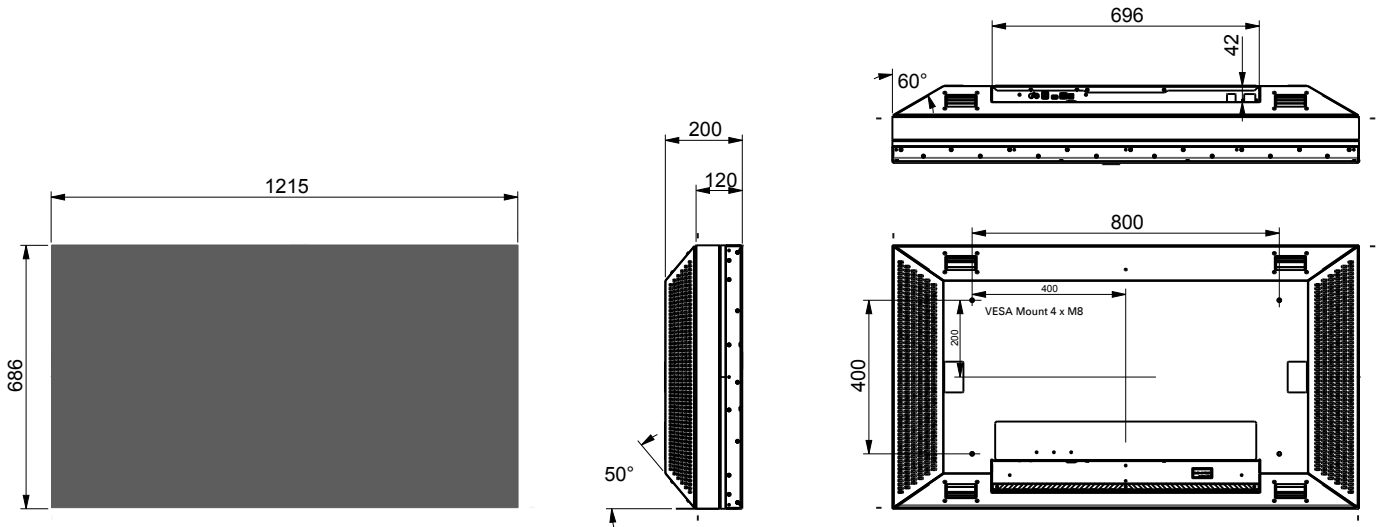
* Not operational. Reserved for future use.



Dimensions

MT553UTB MultiTaction Cell 55" Full HD LCD Ultra Thin Bezel

All dimensions in millimeters



/// For commercial enquiries, please contact:

MultiTouch Ltd:
Email: sales@multitouch.fi
Phone: +358 45 630 8580

MultiTouch Americas:
Email: sales-us@multitou.ch
Phone: (888) 716 8584

MultiTouch Asia
Email: sales-asia@multitou.ch
Phone: +65 6632 3578

Official MultiTouch Resellers
in your area:
www.multitouch.fi/partners

Specifications subject to change without notice. MultiTaction® is a registered trademark of MultiTouch Ltd.

© Copyright 2012 MultiTouch Ltd, April 2013

MultiTouch Ltd, Henry Fordin katu 6 B, 00150 Helsinki, Finland // www.multitaction.com // sales@multitouch.fi // Tel. +358 45 630 8580